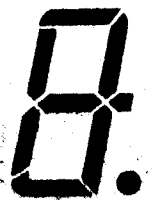




DIONICS INC.

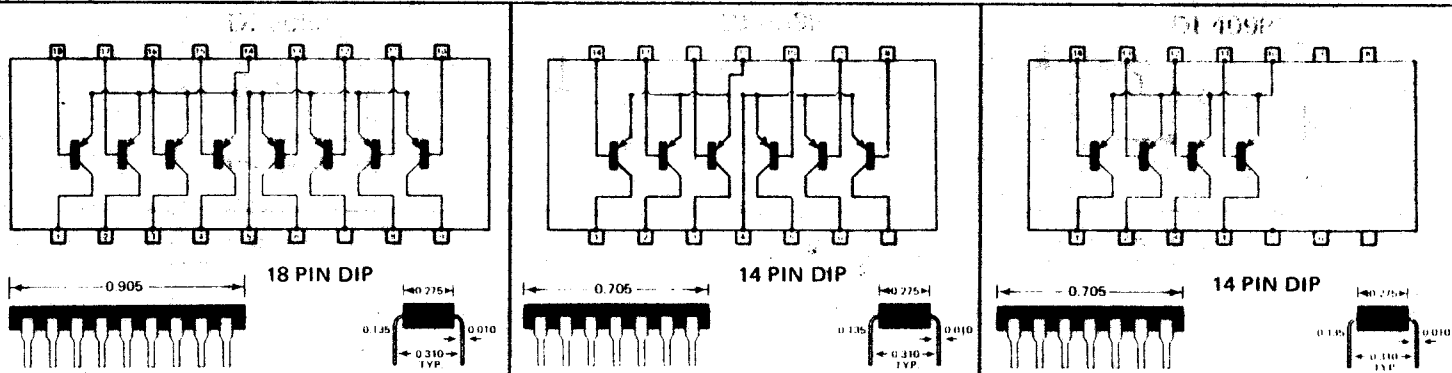
65 Rushmore Street Westbury, N.Y. 11590 (516) 997-7474



VACUUM FLUORESCENT DISPLAY DRIVERS

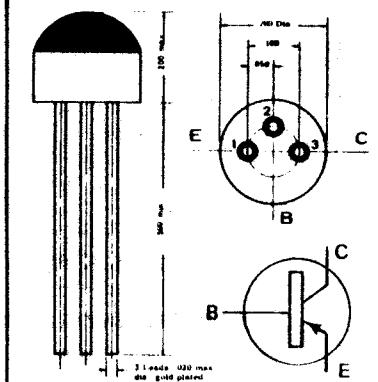
The Dionics DTP 209 discrete PNP transistor, and DI 809P, 609P, and 409P PNP arrays are designed for driving phosphorescent display tubes in digital clock, calculator and panel meter applications. Functioning as both the plate (segment) drivers and grid (digit) drivers, these devices offer an economical and space-saving approach to interfacing between TTL or MOS logic circuitry and florescent displays.

The Dionics Driver Arrays greatly increase reliability, while reducing the large number of discrete high voltage transistors normally used in this application, with an associated reduction of insertion costs and circuit board space requirements.



ABSOLUTE MAXIMUM RATINGS @ 25°C AMBIENT

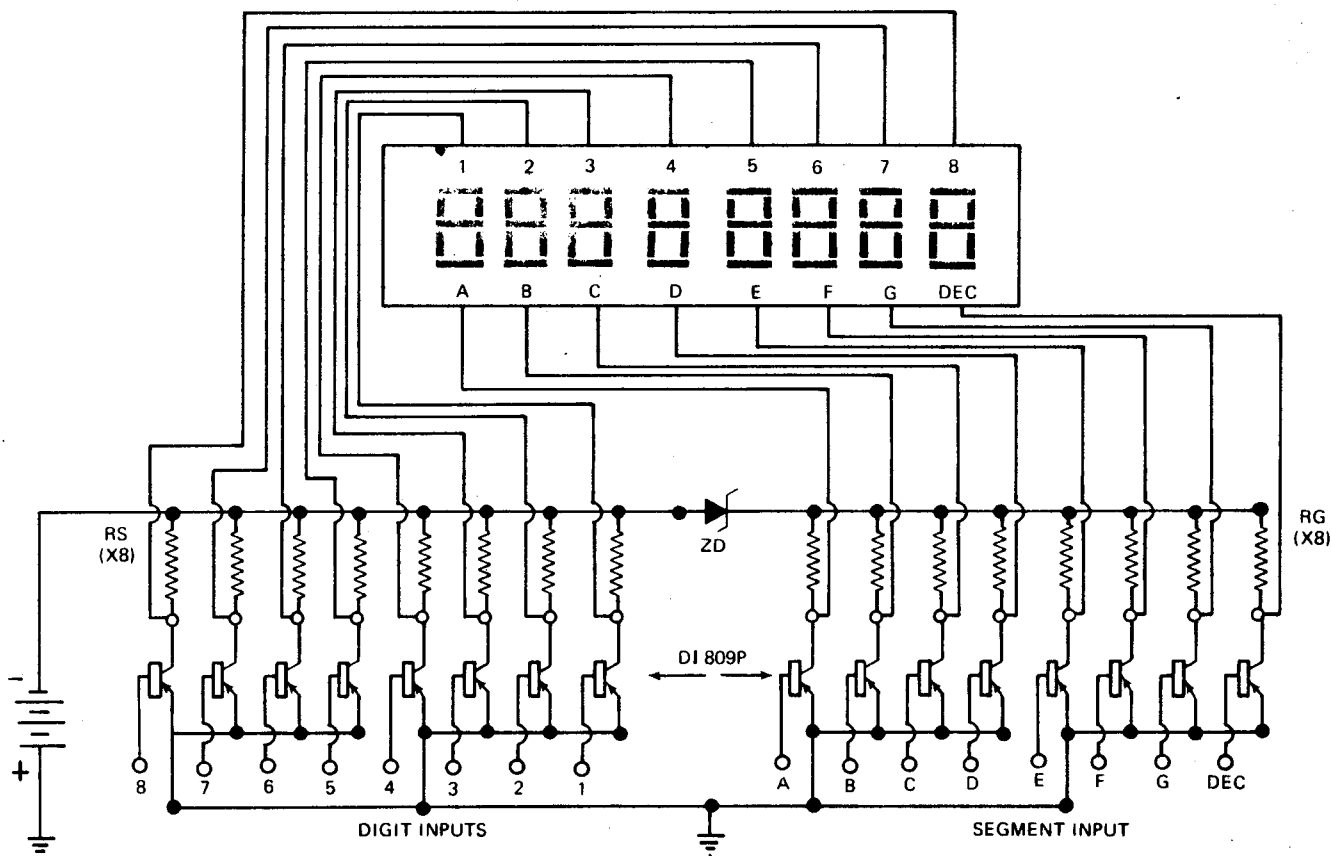
COLLECTOR-BASE VOLTAGE	60V
COLLECTOR-EMITTER VOLTAGE	60V
EMITTER-BASE VOLTAGE	5.0V
D.C. COLLECTOR CURRENT	20 MA
POWER DISSIPATION	
PER TRANSISTOR	360MW
OPERATING AND STORAGE	
TEMPERATURE RANGE	-55° TO +175°C



PART NO.	BVCBO @ ICBO = 10μA	BVCEO @ ICEO = 1.0MA	BVEBO @ IEBO = 10μA	ICBO @ VCBO = 50 Volts	HFE @ IC = 1.0MA VCE = 10 Volts	VCE (SAT) IC = 1.0MA IB = 0.1MA
DI 809P DI 609P DI 409P DTP209	60V MIN	60V MIN	5.0V MIN	0.1μA MAX	20 MIN	5.0V MAX

TYPICAL INTERFACE CIRCUIT ON REVERSE SIDE

TYPICAL 8 DIGIT - 8 SEGMENT
ACCUUM FLUORESCENT DRIVE INTERFACE



Dionics Inc. reserves the right to make changes in specifications at any time and without notice. The information furnished by Dionics in this publication is believed to be accurate and reliable. However, no responsibility is assumed by Dionics for its use; nor for any infringements of patents or other rights of third parties resulting from its use. No license is granted under any patents or patent rights of Dionics.



DIONICS INC.

65 Rushmore Street, Westbury, New York 11590 • (516) 997-7474 • TWX 510 222 0974

SALES REPRESENTATIVES

Arizona—Williams Associates Inc., 7117 Third Avenue, Suite 100B, Scottsdale 85251, (602) 947-4297, TWX (602) 255-0483 □ **California**—Rical Associates, 3201 West Warner Blvd., Santa Ana 92704, (714) 557-6543, TWX (910) 595-1780 □ **Colorado**—Williams Associates Inc., 4614 Ironton Street, Denver 80239, (303) 343-2911, TWX (910) 932-0121 □ **Connecticut**—Impact Sales Company Inc., 60 Connolly Parkway, Building 2, Hamden 06514, (203) 281-1331 □ **Florida**—Alexander Associates, 88 Yacht Club Place, Tequesta 33458, (305) 746-4129 □ **Massachusetts**—Impact Sales Company Inc., 223 Crescent Street, Waltham 02154, (617) 893-2850, TWX (710) 324-6655 □ **New Mexico**—Williams Associates Inc., 420 Washington Street S.E., Albuquerque 87108, (505) 255-1638, TWX (910) 989-0622 □ **New York**—Nycom Inc., 2002 Teall Avenue, Syracuse 13206, (315) 437-8343, TWX (710) 541-1506 □ **Ohio**—McFadden Sales Inc., 150 East Broad Street, Columbus 43215, (614) 221-3363, TWX (810) 482-1623 □ **Washington**—Jon B. Jolly Inc., 4832½ California Avenue S.W., Suite #3, Seattle 98104, (206) 938-4166 □ **Texas**—Semiconductor Sales Assoc., 312 North Central Expressway, Richardson, 75080, (214) 231-6181

INTERNATIONAL REPRESENTATIVES

England—Walmore Electronics Ltd., 11-15 Betterton Street, Drury Lane, London WC2H 9BS, Phone 01-836-0201, TWX (851) 28752 □ **Israel**—RN Electronics Ltd., 14, Ehud Street, Zahala, P.O.B. 10205, Tel Aviv, Phone 03471032, Telex 032470-1 □ **Sweden**—ST-Komponent AB, Tengdahlsgatan 26, S-116 41 Stockholm, Phone 08-230760, TWX (854) 11688 □ **Switzerland**—Contiflex AG, CH-8700 Kusnacht-Zurich, Florastrasse 17, Phone 051.908181-3 Linien, TWX (845) 54575 □ **Japan**—Kyokuto Boeki Kaisha, Ltd., 2-1, 2 Chome, Otemachi, Chiyoda-Ku Tokyo, 100-91 Japan, Phone 270-7711, Telex TK 2440 □ **France**—Comsatec, 14 Et 16, Rue Baudin, 92300 Levallois Perret, Phone 270-87-01, Telex 63065 F