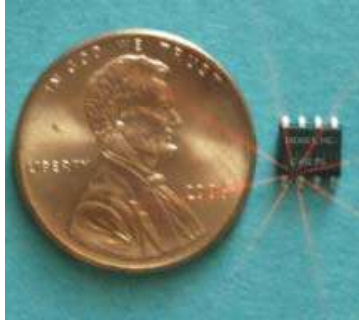




# DIONICS-USA INC.

96-B URBAN AVENUE · WESTBURY, NEW YORK 11590  
TEL 516-997-7474 FAX 516-997-7479  
www.dionics-usa.com



## NEW PRODUCT RELEASE DECEMBER 2014

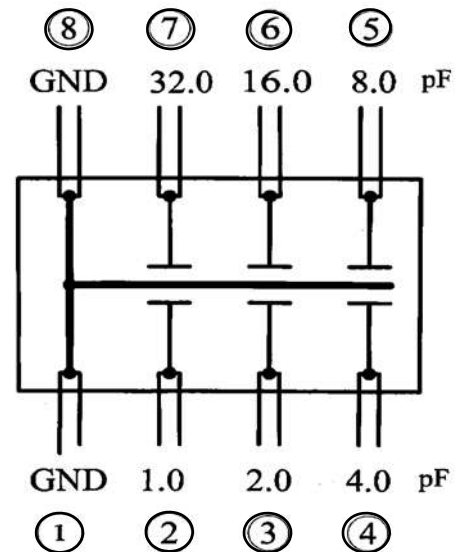
### C 632A MOS PRECISION ADJUSTABLE CAPACITORS

**DIONICS-USA, INCORPORATED** offers a new line of C 632A MOS capacitor arrays, housed in 8 pin SOIC Surface Mount packages, providing precise, user-adjustable capacitance values that range from as low as 1 pF up to 63pF in 1 pF increments. The final desired value is selected by making parallel connections to the appropriate 1 pF, 2pF, 4pF, 8pF, 16pF, and 32pF leads. ( See Schematic below.). Other wide capacitor ranges are also readily available.

- Precise, easily selectable values, from 1pF to 63pF adjustable in 1pF increments
- Tight tolerances (5% or 10%)
- Operating Voltage 75VDC
- Excellent high frequency performance
- Extremely stable and reliable MOS construction
- Small 8-pin SOIC package
- Other capacitance values and packages available
- Low Cost

#### APPLICATIONS:

- Tuning and trimming
- Frequency setting
- Telecommunications
- RF Circuitry
- Compensation circuitry
- Medical
- Security



For further information please contact:

Dionics-USA, Inc. PH: 516-997-7474 FX: 516-997-7479 Email: [sales@dionics-usa.com](mailto:sales@dionics-usa.com)