



DIONICS-USA INCORPORATED

96-B Urban Avenue
Westbury, NY 11590

Phone: (516) 997-7474

Fax: (516) 997-7479

Website: www.dionics-usa.com

DIH-135 Power MOSFET Dual NIC SPST Photovoltaic DC Relay

Features:

- Package Contains Two N/C DC Relays;
- Fast Switching Speeds
- Optically Isolated to 400V DC.
- Immune to False Triggering
- Small size, Hermetic 8-pin SIP Package
- Designed to Meet MIL-R28750 and 28V DC System Surge and Spike Requirement of MIL STD-704.
- Y-Level MIL-Screening Available (**DIH-135Y**)

Applications:

- Replacement of Mechanical Relays
- Motor Control & Power Control
- Aircraft Flight Control Systems
- A.T.E (Automatic Test Equipment)
- Load Control From Processor I/O Ports
- Power Supply Circuits
- Medical Electronics

Description:

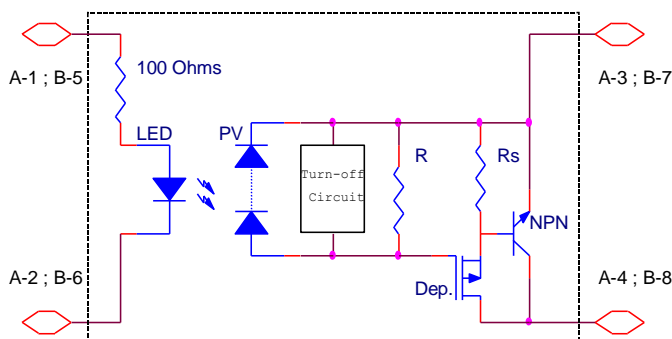
The DIH-135 is a State-of-the-Art Photovoltaic Solid State Relay designed for 28V DC Aircraft power applications where package space-efficiency and high reliability are critical.

Each package contains two independent N/C relays, with separate LED inputs and optically isolated power MOSFET outputs. The Normally Closed (N/C) outputs both operate DC.

Each relay, A or B, is capable of carrying 300mA DC continuous current and 500mA DC peak current. Each LED optically couples to a Photovoltaic (PV) IC chip which responds by generating a voltage. This voltage is internally connected to the Gate and Source terminals of the output MOSFETs, thus controlling their current. The DIH-135 is also available screened to military specifications, as required.

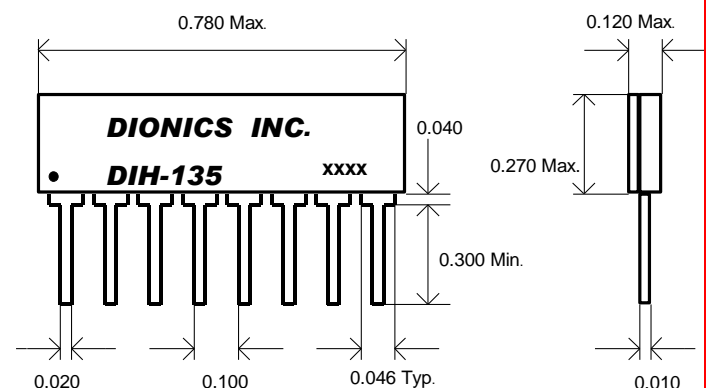
<u>Pin Designations</u>			
<u>Relay A</u>		<u>Relay B</u>	
1	Input +	5	Input +
2	Input -	6	Input -
3	Output -	7	Output -
4	Output +	8	Output +

* DIH-135 Equivalent Circuit



* Package Layout:

Weight 1.5 Grams



DIH-135: Power MOSFET Dual NIC SPST Photovoltaic DC Relay

Electrical Characteristics (Per Relay @ 25⁰ C unless otherwise specified):

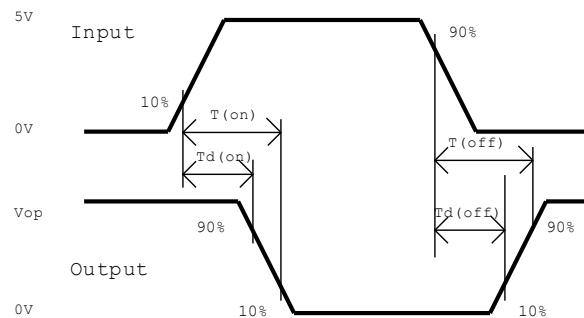
- ❖ Relay A: Normally Closed (N/C)
- ❖ Relay B: Normally Closed (N/C)

❖ Input Characteristics					
Symbol	Parameter	Min.	Typ.	Max.	Unit
I _{in}	Input Current	15.0	20.0	25.0	mA
V _{in}	Input Voltage Drop	1.2	—	1.5	V
V _{rev.}	Reverse Voltage	—	—	10.0	V
V _{on}	On State Voltage	1.2	—	—	V
V _{off}	Off State Voltage	—	3.0	4.0	V

❖ Output Characteristics					
Symbol	Parameter	Typ.	Max.	Unit	Condition
I _{load}	Load Current	—	300 / 500	mA	Continuous / Peak
R _{on}	On Resistance @ T _c = 85 ⁰ C	—	5	Ω	I _{in} =25 (mA); I _{load} = 100 (mA)
		—	7	Ω	I _{in} =25 (mA); I _{load} = 100 (mA)
R _{iso}	Input/Output Resistance	10 ⁸	—	Ω	
I _{leak}	Leakage Current	—	100	μA	I _{in} =25 (mA); V _{op} =80 (V)
V _{op}	Operating Voltage	30	80	V	DC
BV	Breakdown Voltage	—	100	V	DC
T _{on}	Turn-On Time	150	300	μs	V _{in} = 4.5V, P.W* = 100μs; V _{op} = 30V
T _{off}	Turn-Off Time	150	300	μs	V _{in} = 4.5V, P.W = 100μs; V _{op} = 30V
V _{iso}	Input-Output Isolation	—	400	V	DC
P	Maximum Power Dissipation	—	400	mW	

PW*: Pulse Width.

❖ Timing Diagram



❖ Environmental Ratings:

- Storage Temperature: -25⁰C to +125⁰C
- Constant Acceleration: 5000G
- Hermeticity: + Gross 1 x 10⁻⁵ atm cc/sec
+ Fine 5 x 10⁻⁸ atm cc/s **

** When screened to MIL-Specs.