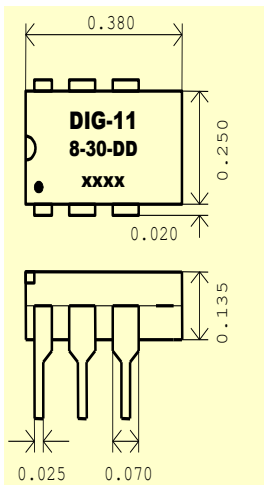




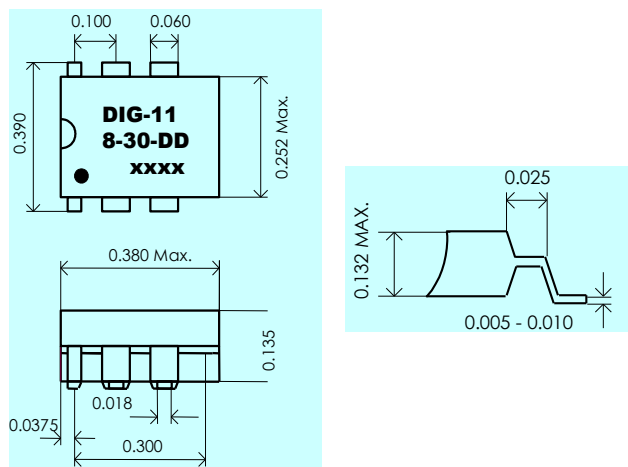
## Opto-Isolated MOSFET/IGBT Driver Plastic Package Option

DIG-11-06-030 DIG-11-06-150 DIG-11-08-050  
DIG-11-8-30-DD DIG-21-8-30-DD DIG-21-15-30-DD  
DIG-100-D DIG-1611-DD DIG-1612-DD DIG-6113

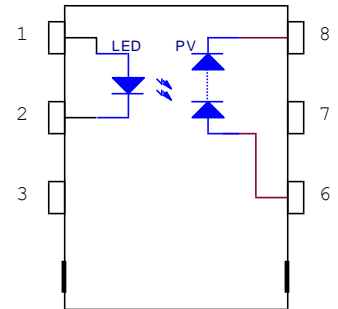
Standard DIP Package



Surface Mount DIP Package

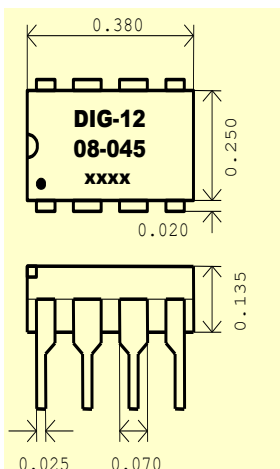


Equivalent Circuit

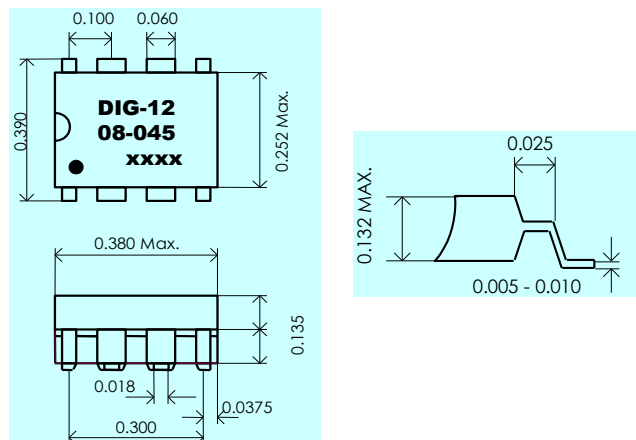


DIG-12-06-025 DIG-12-06-100 DIG-12-06-250  
DIG-12-08-010 DIG-12-08-045

Standard DIP Package



Surface Mount DIP Package



Equivalent Circuit

